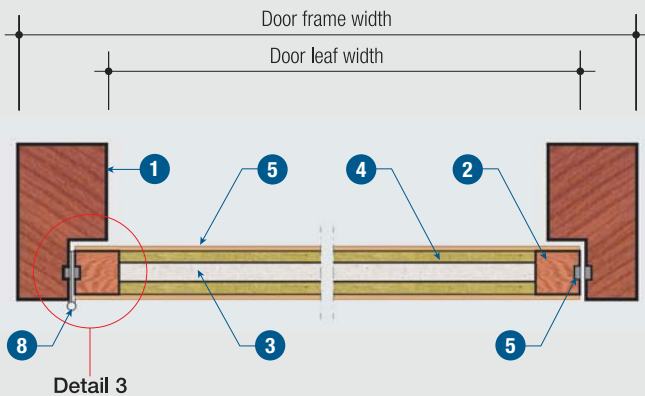


Detail 1 Elevation



Detail 2 Horizontal section (Section A-A)

With the increasing awareness of the importance of correct testing off doorsets and the strict requirements of the National Building Code of India (NBC), the Indian market has been for long been waiting for tested, reliable & authentic fire doors. Promat now offers CBRI tested fire doors with NCBN Technology: "Non-Combustible By Nature". With this design, the first of its type tested and approved for the Indian market, Promat doors are unique for the Indian market. Promat backs the market with a well established, strong network of quality driven OEM's, recognised for effective pre and post sales service and support, all over India.

This doorset offers the architect the optimum in providing a flush surface onto which can be mounted surface mouldings, in order to provide the appearance of a panelled door leaf.

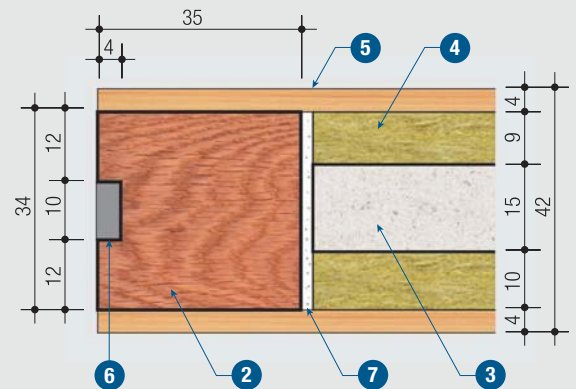
NCBN doors are two types as below.

**60-minutes PROMATECT®-H door  
(PROMADOOR: PH4)**

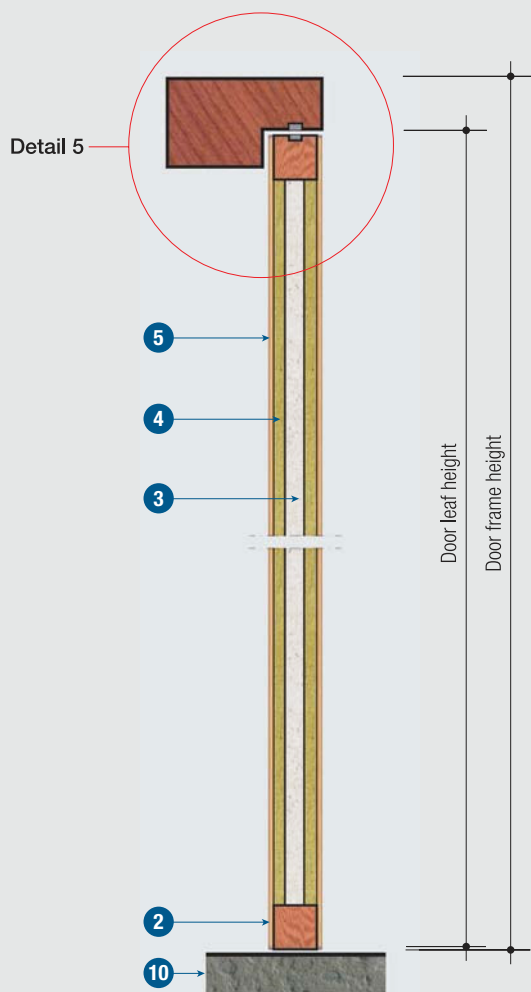
For 60-minutes the thinnest fire door is 44mm thick, it is economical to use & light weight.

**120-minutes PROMINA® 60 door  
(PROMADOOR: PMF1, please download the PDF)**

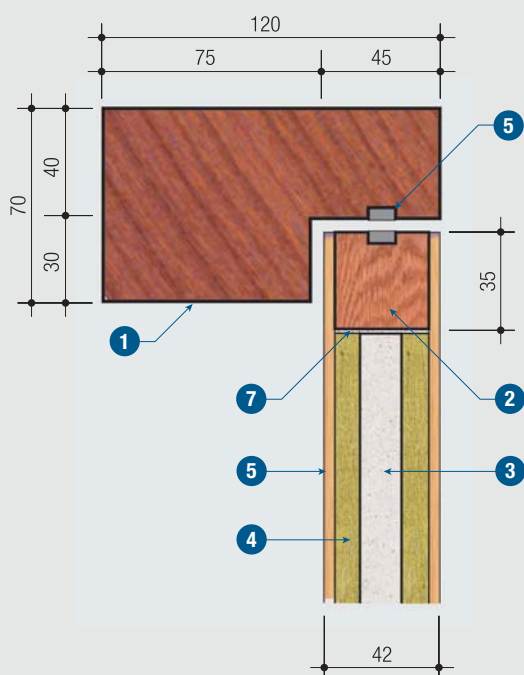
This is the first 120-minutes timber door to pass the Indian standard test at CBRI.



Detail 3 Door leaf detail



Detail 4 Vertical section (Section B-B)



Detail 5 Door head detail

### TECHNICAL DATA

**1 hour fire rating, integrity and insulation in accordance with the criteria of BS 476: Part 22: 1987 and IS: 3809: 1979, CNP-2150.**

- 1 Medium meranti door frame 120mm x 70mm thick
- 2 Perimeter framing of medium meranti wood 35mm wide x 34mm thick
- 3 PROMATECT®-H core 15mm thick
- 4 Fire rated insulation coated with acrylic sealant
- 5 Plywood 4mm thick with paint 1mm or lamination on both sides
- 6 PROMASEAL® Door Strip 10mm x 4mm thick
- 7 PROMASEAL® L Intumescent Sealant to seal gaps between PROMATECT®-H core and door stiles
- 8 Stainless steel ball bearing hinges 304 grade 100mm x 75mm x 2.5mm
- 9 Stainless steel latch or L drop
- 10 Floor slab

**NOTE:** The aperture into which the door is installed should have a fire resistance at least equal to that of the doorset itself. Care should be taken to ensure any gaps between the door frame and the aperture are thoroughly sealed to prevent the passage of smoke and hot gases. Please consult Promat Technical Department for details of the PROMASEAL® fire stopping range of products.